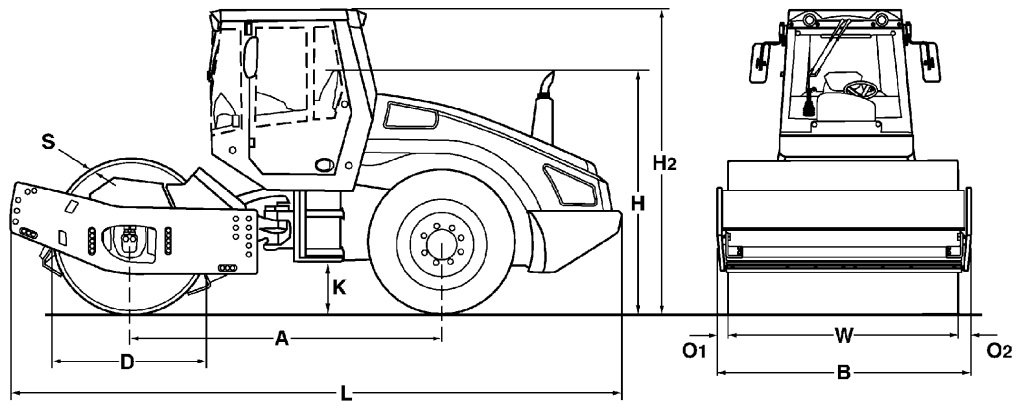


# TECHNICAL DATA

SINGLE DRUM ROLLERS

BW 219 D-4, BW 219 PD-4





**Dimensions in mm**

	<b>A</b>	<b>B</b>	<b>D</b>	<b>H</b>	<b>H2</b>	<b>K</b>	<b>L</b>	<b>O1</b>	<b>O2</b>	<b>S</b>	<b>W</b>
<b>BW 219 D-4</b>	3255	2300	1600	2290	3025	450	6340	85	85	40	2130
<b>BW 219 PD-4</b>	3255	2300	1500	2290	3025	450	6340	85	85	35	2130

**Shipping dimensions in m3**

**BW 219 D-4**  
**BW 219 PD-4**

**without ROPS**

33,393  
33,393

**with ROPS**

44,111  
44,111

<b>Machine type</b>	<b>Compaction output (m3/h)</b>			
	<b>Rock fill</b>	<b>Gravel, sand</b>	<b>Mixed soil</b>	<b>Silt, clay</b>
BW 219 D-4	940-1880	700-1400	560-960	250-500
BW 219 PD-4	940-1880	700-1400	560-960	280-560

<b>Machine type</b>	<b>Compacted layer thickness (m)</b>			
	<b>Rock fill</b>	<b>Gravel, sand</b>	<b>Mixed soil</b>	<b>Silt, clay</b>
BW 219 D-4	1,40	1,00	0,70	0,30
BW 219 PD-4	1,40	1,00	0,70	0,30

**Technical Data****BOMAG  
BW 219 D-4****BOMAG  
BW 219 PD-4****Weights**

Grossweight .....	kg	20.780	19.540
Operating weight CECE w. ROPS-cabin .....	kg	19.050	19.390
Axle load, drum CECE .....	kg	12.800	13.140
Axle load, wheels CECE .....	kg	6.250	6.250
Static linear load CECE .....	kg/cm	60,1	

**Dimensions**

Working width .....	mm	2.130	2.130
Track radius, inner .....	mm	3.890	3.890

**Driving Characteristics**

Speed (1) .....	km/h	0- 3,0	0- 3,0
Speed (2) .....	km/h	0- 4,0	0- 4,0
Speed (3) .....	km/h	0- 7,0	0- 7,0
Speed (4) .....	km/h	0- 11,0	0- 11,0
Max. gradeability without/with vibr. ....	%	50/48	52/50

**Drive**

Engine manufacturer .....		Deutz	Deutz
Type .....		TCD 2012 L06	TCD 2012 L06
Emission stage .....		Stage IIIa / TIER3	Stage IIIa / TIER3
Cooling .....		water	water
Number of cylinders .....		6	6
Performance ISO 3046 .....	kW	150,0	150,0
Performance SAE J 1995 .....	hp	201,0	201,0
Speed .....	min-1	2.200	2.200
Fuel .....		Diesel	Diesel
Electric equipment .....	V	12	12
Drive system .....		hydrost.	hydrost.
Drum driven .....		standard	standard

**Drums and Tyres**

Number of pad feet .....			150
Area of one pad foot .....	cm <sup>2</sup>		137
Height of pad feet .....	mm		100
Tyre size .....		23.1-26/12PR	23.1-26/12PR

**Brakes**

Service brake .....		hydrost.	hydrost.
Parking brake .....		hydromec.	hydromec.

**Steering**

Steering system .....		oscil.artic.	oscil.artic.
Steering method .....		hydrost.	hydrost.
Steering / oscillating angle +/- .....	grad	35/12	35/12

**Exciter system**

Drive system .....		hydrost.	hydrost.
Frequency .....	Hz	26/31	26/31
Amplitude .....	mm	2,00/1,10	1,70/1,10
Centrifugal force .....	kN	314/240	314/240
Centrifugal force .....	t	32,0/24,5	32,0/24,5

**Capacities**

Fuel .....	l	340,0	340,0
------------	---	-------	-------

Technical modifications reserved. Machines may be shown with options.

### Standard Equipment

- Warning, information and operation displays with round gauge
- Hydrostatic travel and vibration drive
- Hydrostatic articulated steering
- Articulated joint lock
- Rear axle with twin spring accumulator brakes
- Self locking differential
- Warning horn
- Single lever control for travel and vibration
- Shock-mounted swivel seat, adjustable in height and length (Cabin)
- Contact scrapers (D:Plastic)
- Scrapers (PD:Steel)
- Emergency STOP
- Noise insulation
- Back-up warning system

### Optional Equipment

- ROPS/FOPS cabin with seat belts
- Working lights front/rear
- ROPS with safety belt
- Rotary beacon
- Indicator and hazard lights
- Contact scrapers (D:Steel)
- BOMAG Evib-Meter (BEM)
- TERRAMETER BTM prof
- BCM 05 Documentation system
- Special painting
- Environmentally compliant hydraulic oil
- Air condition
- Sun roof
- Warning, information and operation displays
- Padfoot segment kit (D)
- Radio (Bluetooth)
- Protective ventilation system

