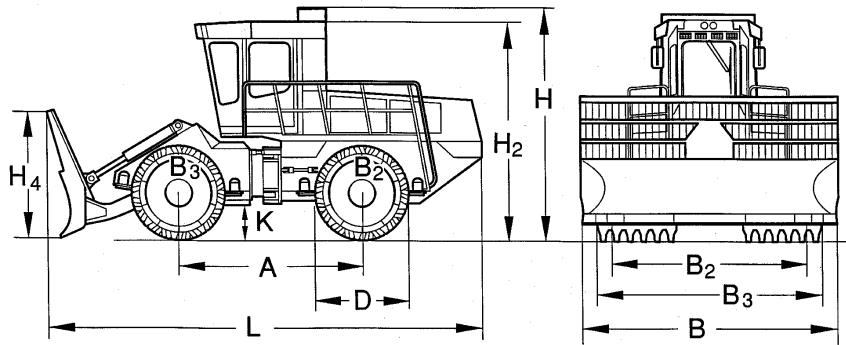


TECHNICAL DATA

REFUSE COMPACTOR

BC 672 RB-2, BC 772 RB-2





Dimensions in mm

	A	B	B2	B3	D	H	H2	H4	K	L
BC 672 RB-2	3500	3800	3550	3775	1660	4120	3820	1950	600	8120
BC 772 RB-2	3500	3800	3550	3775	1660	4120	3820	1950	600	8120

Shipping dimensions in m3

BC 672 RB-2	117,870
BC 772 RB-2	117,870

Technical Data**BOMAG
BC 672 RB-2****BOMAG
BC 772 RB-2****Weights**

Grossweight	kg	32.700	37.100
Operating weight CECE	kg	32.100	36.500
Axle load, front CECE	kg	15.300	17.400
Axle load, rear CECE	kg	16.800	19.100

Driving Characteristics

Speed (1), forward	km/h	0- 4,0	0- 4,0
Speed (1), reverse	km/h	0- 4,0	0- 4,0
Speed (2), forward	km/h	0- 7,5	0- 7,5
Speed (2), reverse	km/h	0- 7,5	0- 7,5
Speed (3), forward	km/h	0- 12,0	0- 12,0
Speed (3), reverse	km/h	0- 12,0	0- 12,0
Max. gradeability (dep. on soil con.)	%	100	100
Max. pushing force	kN	346	394

Drive

Engine manufacturer		Deutz	Deutz
Type		TCD 2015 V06	TCD 2015 V06
Emission stage		Stage IIIa / TIER3	Stage IIIa / TIER3
Cooling		water	water
Number of cylinders		6	6
Performance ISO 9249	kW	330,0	330,0
Performance SAE J 1349	hp	442,0	442,0
Speed	min-1	2.100	2.100
Travel system		hydrost.	hydrost.
Operating voltage	V	24	24

Compaction Wheels

Width, front / rear	mm	1.350/1.125	1.350/1.125
Outer diameter (front)	mm	1.660	1.660
Outer diameter (rear)	mm	1.660	1.660
Number of teeth/cutters, front		60	60
Number of teeth/cutters, rear		50	50
Compaction coverage per side	mm	1.350	1.350

Brakes

Service brake		hydrost.	hydrost.
Parking brake		hydromec.	hydromec.

Steering

Steering system		oscil.artic.	oscil.artic.
Steering method		hydraulic	hydraulic
Steering / oscillating angle +/-	grad	40/15	40/15
Track radius, inner	mm	3.090	3.090

Dozer Blade

Height adjustment over ground level	mm	1.200	1.200
Height adjustment below ground level	mm	120	120
Dozer blade capacity acc. to SAE J 1265	m3	11,6	11,6

Capacities

Fuel	l	500,0	500,0
Engine oil	l	39,0	39,0
Hydraulic oil	l	350,0	350,0

Technical modifications reserved. Machines may be shown with options.

Standard Equipment

Optional Equipment

- Polygonal compaction wheels, teeth with replaceable caps
- Blade (3800mm)
- Premium compaction wheels with highly wear resistant teeth
- Blade 4356 mm (open design)
- Semi-U-Blade 3750mm
- Semi-U-Blade 4480mm
- PS3 Bucket 3800mm
- Pre start cabin heating
- Fire extinguisher
- Special painting
- Environmentally compliant hydraulic oil
- Protective ventilation system (Pre-installation)
- Lockable hood lock (anti-theft protection)
- Tool kit
- Tachograph
- Automatic heating - air conditioning
- TELEMATIC POWER

