

WX04

Load Haul Dump General Specifications



Lower environment
impact



Reliability



Productivity



Indicative illustration only, machine design will vary

Operating capacities, weights and dimensions

Payload	4,000 kg.	8,800 lbs.
Bucket capacity	1.9 m ³ .	2.5 yd ³ .
Operating weight	14,560 kg.	32,032 lbs.

Engine power

Engine rated power - standard	97 kW.	130 hp.
Engine rated power (optional)	99 kW.	133 hp.

*Standard rock bucket based on 2,000 kg/m³. Alternate bucket volumes available

Capacities		
Tramming capacity	4,000 kg.	8,800 lbs.
Hydraulic breakout force lift	11,361 kg.	25,046 lbs.
Hydraulic Breakout force tilt	9,189 kg.	20,258 lbs.
SAE breakout force	9,189 kg.	20,258 lbs.
SAE static tipping load	16,611 kg.	36,621 lbs.
Bucket	1.9 m ³ .	2.5 yd ³ .

Weights		
Operating weight	15,150 kg.	33,400 lbs.
Total loaded weight	19,150 kg.	42,218 lbs.
Axle weight without load		
Front axle	6,674 kg.	14,714 lbs.
Rear axle	8,476 kg.	18,686 lbs.
Axle weight with load		
Front axle	12,981 kg.	28,618 lbs.
Rear axle	6,169 kg.	13,600 lbs.

Speeds km/h unloaded						
Grade	0	5	10	12	15	20
1st gear	4.8	4.2	4.2	4.0	3.9	3.8
2nd gear	9.5	8.8	7.8	9.1	7.8	5.9
3rd gear	16.0	12.7	10.0	8.4	6.4	3.4
4th gear	25.8	14.5				

Speeds km/h loaded						
Grade	0	5	10	12	15	20
1st gear	4.4	4.2	4.0	3.9	3.7	3.6
2nd gear	9.2	8.7	7.6	6.7	5.8	3.9
3rd gear	14.0	12.3	7.7	6.8		
4th gear	24.0	11.4				

Speeds are representative and are based on a 3% rolling resistance. Actual speeds achieved will be subject to road conditions.

Bucket motion times (+/-1 s)	
Dump time	2.5 s
Raising time	4.6 s
Lowering time	3.4 s

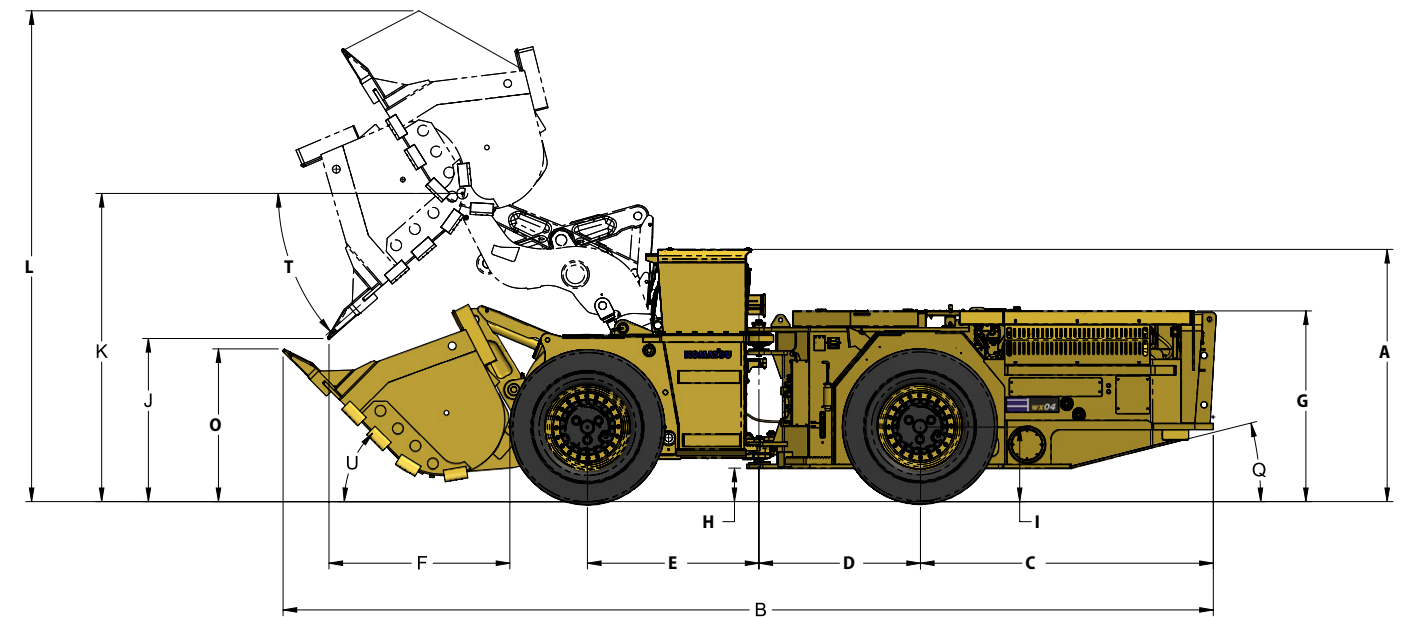
Control system	
User interface	IQAN MD4

Powertrain		
Engine	Standard Cummins QSB 4.5T EPA Tier 3	Optional Cummins QSB 4.5T EU Stage V
Output	97 kW (130 hp) @2500 rpm	99 kW (133 hp)
General		
Air filtration		Donaldson (dry type)
Exhaust system		DOC
Fuel tank capacity		190 litres 50 USG
Converter		Dana C270 series
Transmission		Dana 32000 series
Shifting		Powershift c/w modulation
Speeds		4 forward / 4 reverse
Axles		
Front and rear		Dana 14D2149
Differential, front		Limited slip
Differential, rear		No-spin
Brakes		Spring applied, hydraulic release
Oscillation angle		+/- 5 deg
Tires		Bias L5S (smooth)
Size		12.00 x 24
As applications vary, the tire supplier should be consulted for proper tires.		

Hydraulics	
System design	
Variable displacement piston pump with load sensing open center circuit design for optimal efficiency. Proportional hydraulic valve with closed centre spool with priority steering, shock valves and load sense relief valves.	
Bucket/boom control	
Single 2 axis proportional electric joystick	
Steering control	
Single 1 axis proportional electric joystick with gear selector	
Brake system	
Service brakes are enclosed spring-applied, hydraulically released, liquid cooled multi-disk on all four wheel ends. The service brakes also function as emergency and park brakes. Brakes will apply upon loss of hydraulic pressure or electrical power.	
Bucket dump cylinder	One (1), double acting, single stage, Z-link
Boom hoist cylinder	Two (2), double acting, single stage
Steer cylinder	One (1), double acting, single stage
Hydraulic tank volumes	140 litres 47.0 US Gal

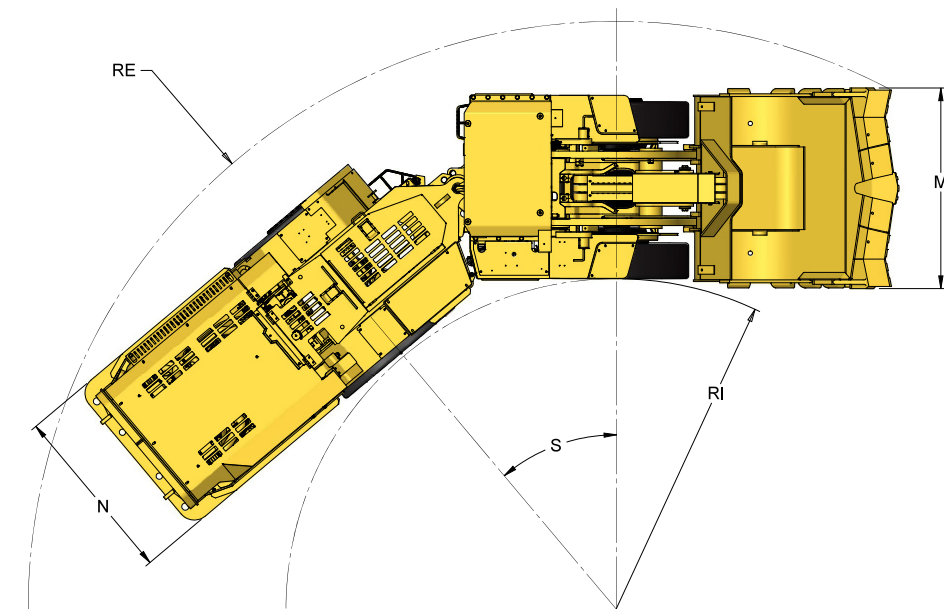
Electrical equipment	
Alternator	24V/70A
Batteries	2 x 24V HD
Starter	24V
Driving and working lights	2 front / 2 rear (LED)

Structural	
Front and rear frames	Welded steel box construction
Material	ASTM A572 GR50 (CSA G40.21-50W)



Overall dimensions		
A	Top of cabin	2073 mm. 81.6 in.
B	Overall, tramming	7648 mm. 301.1 in.
C	Rear axle to bumper	2410 mm. 94.9 in.
D	Centre hinge to rear axle	1324 mm. 52.1 in.
E	Centre hinge to front axle	1410 mm. 55.5 in.
F	Bucket reach	1485 mm. 58.5 in.
G	Top of hood	1567 mm. 61.7 in.
H	Ground clearance	275 mm. 10.8 in.
J	Dump clearance	1342 mm. 52.8 in.
K	Lift arm pin	2533 mm. 99.7 in.
L	Bucket raised	4126 mm. 162.4 in.

Overall dimensions		
N	Width - rear frame	1575 mm. 62 in.
RE	Outside turning radius	5307 mm. 208.9 in.
RI	Inside turning radius	2929 mm. 115.3 in.
S	Turn angle	40 deg
T	Dump angle	41 deg
U	Roll back angle	45 deg



Standard equipment

- ROPS/FOPS certified open cabin
 - LCD Dash
 - Door interlock on operator's compartment
 - Electric horn
 - Joystick hoist and bucket control
 - Joystick steering control
- 1.9 m³ (2.5 yd³) bucket with plate lip
- Z-link boom design
- Articulation and boom locks
- Central manual lubrication
- Electric hydraulic oil transfer pump
- Emergency stops (3)
- Exhaust blanket SS jacket
- Battery disconnect switch
- Jump start

Automation option

- Radio remote control system, line of sight

Optional equipment

- Fire suppression system liquid type - Manual
- Fire suppression system liquid type - Automatic
- Fire extinguisher
- Automatic lubrication system
- Remote retrieval system
- Back-up alarm
- Strobe lights
- Wheel chocks and holders
- DPF exhaust
- Transmission gear lock-out

Bucket options

- 1.9 m³ (2.5 yd³) bucket w. cast lip
- 2.2 m³ (2.9 yd³) bucket w. plate lip or cast lip
- 1.4 m³ (1.8 yd³) ejector bucket
- Quick attach MasterHitch
- Quick attach bucket
- Quick attach forks
- Quick attach ejector bucket 1.3 m³ (1.7 yd³)

Cabin options

- Certified ROPS/FOPS Enclosed Cabin
 - Air Conditioning
 - 3 Window Wiper and Washer
 - Safety Glass Windows
 - Sound Deadening Insulation

Komatsu: Revolutionizing the mining industry for a sustainable future

Product designs, specifications and/or data in this document are provided for informational purposes only and are not warranties of any kind. Product designs and/or specifications may be changed at any time without notice. The only warranties that apply to sales of products and services are Komatsu's standard written warranties, which will be furnished upon request.

Komatsu and other trademarks and service marks used herein are the property of Komatsu Ltd., Komatsu America Corp., Komatsu Mining Corp., or one of their affiliates, or the respective owners or licensees.

© 2020 Komatsu America Corp. All rights reserved.

EN-WX04LHDGS01-0720-V1



mining.komatsu